



# MID ATLANTIC SERIES CATALOG



ANSI/KCMA A161.1-2019  
L&C CABINETRY

Certificate Number: 1751  
Issue Date: May 16, 2019  
Expiration Date: August 31, 2020  
Supersedes Certificate No : 16051

LISTING

CERTIFICATE

THIS CERTIFIES THAT

L&C CABINETRY

Is a current member in the Kitchen Cabinet Manufacturers Association Certification Program and is manufacturing the following lines of kitchen cabinets and/or bathroom vanity cabinets in conformance with American National Standard ANSI/KCMA A161.1-2017, Performance and Construction Standard for Kitchen and Vanity Cabinets:

Cabinet line	Door Style	(species)
D1 Natural	Shaker	Maple
D2 White Shaker	Shaker	Maple
D3 Shallow Green	Shaker	Maple
D4 Naval	Shaker	Maple
D5 CyberSpace	Shaker	Maple
D6 Dove Grey	Shaker	Maple
D8 Black Swan	Shaker	Maple
D9 Pearl White	Raised Panel	Maple
G1 Espresso Shaker	Shaker	Maple
G4 Grey Shaker	Shaker	Maple
G8 Royal Blue	Shaker	Maple
L2 Aveley	Shaker	Maple
S1 Ash Gary	Shaker	Maple
S2 Honey Shaker	Shaker	Maple

Only factory assembled cabinets are certified

These cabinet lines are listed in the Kitchen Cabinet Manufacturers Association Directory of Certified Cabinet Manufacturers. This manufacturer is authorized to apply KCMA certification Seals to the Kitchen and bath cabinet lines listed above.

This certificate may be updated at any time and will expire on the date listed above. This certificate may also be canceled for non-conformity with the requirements of the Certification Program or upon voluntary withdrawal from the program by the manufacturer

Charles P. Arnold

This certificate is current as of the issue date



## WALL CABINET CONSTRUCTION



## BASE CABINET CONSTRUCTION



## CONSTRUCTION DETAILS

1 = Concealed 6 ways adjustable, 110 Degree opening angle ( Soft close door system)

2 = Top, Bottom and Side Panels (Wall): 1/2" Plywood with wood veneer

3 = All metal brackets

4 = Undermount, Heavy-duty, Self-close Glide System, full extension and 1/2" Thick hardwood dovetail drawer box

5 = 3M soft door & drawer bumper

All Frames Are Made From Maple

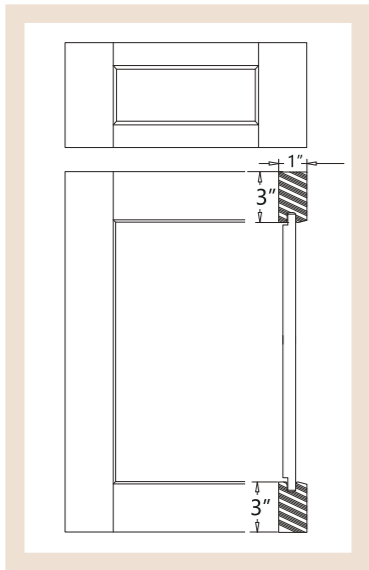
All Doors Are Made From Maple

(MDF Center Panel)

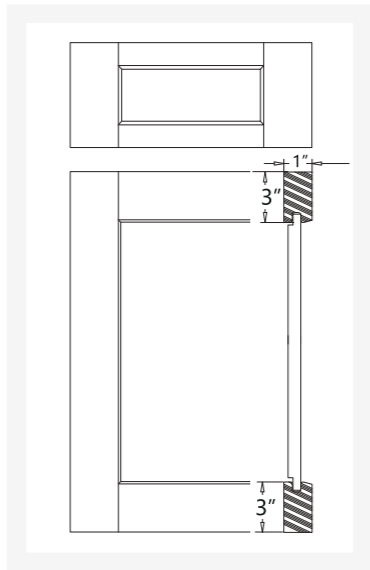
### D-SERIES



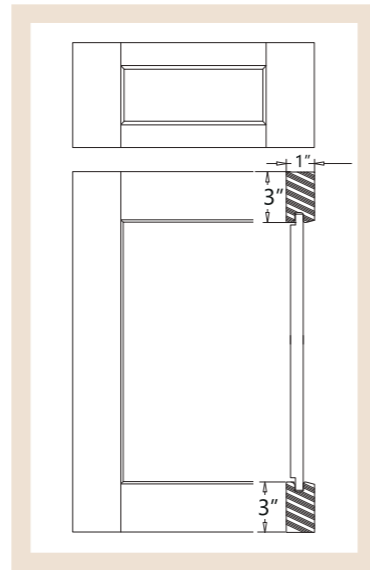
D2 White Shaker



D3 Shallow Green



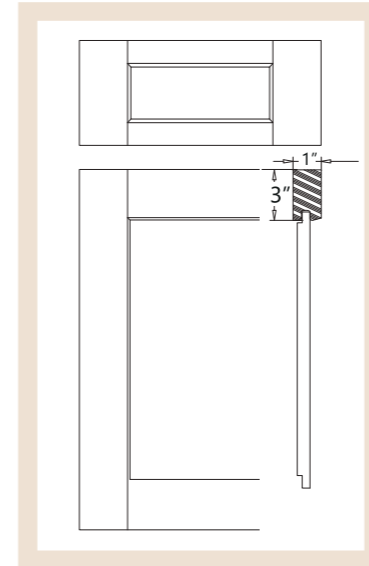
D6 Dove Grey



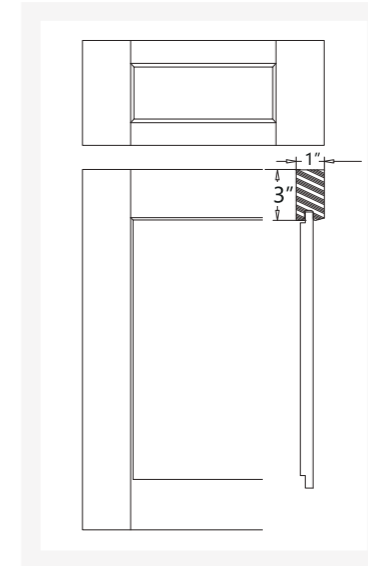
### D-SERIES



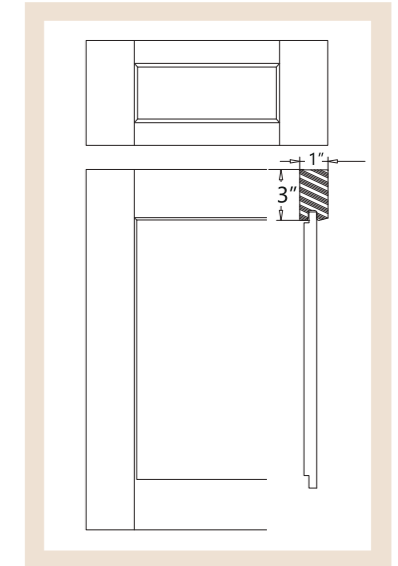
D1 Natural



D4 Naval



D5 CyberSpace

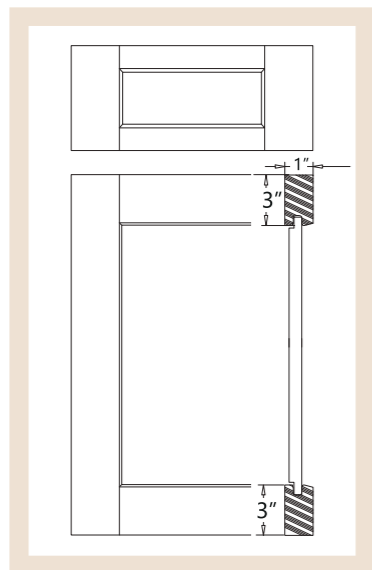




### D-SERIES



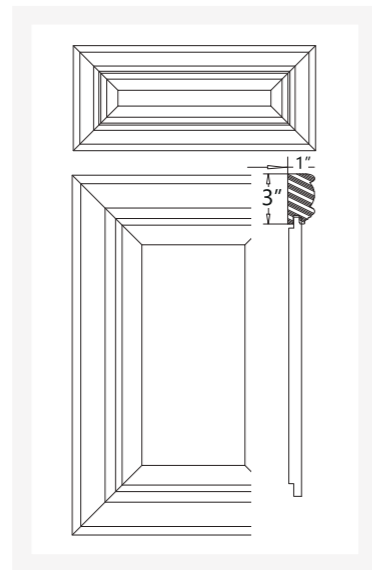
D8 Black Swan



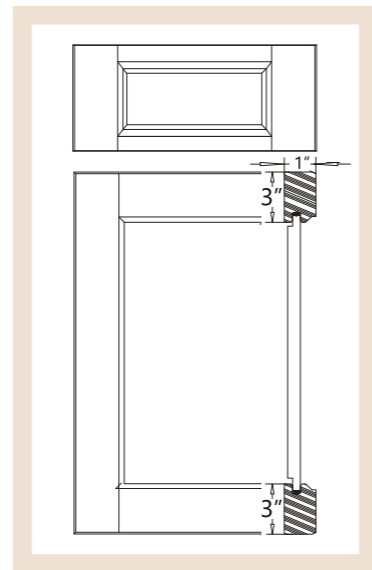
### G SERIES



D9 Pearl White



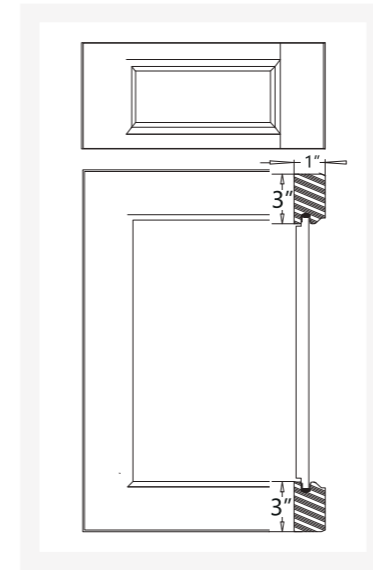
G1 Espresso Shake



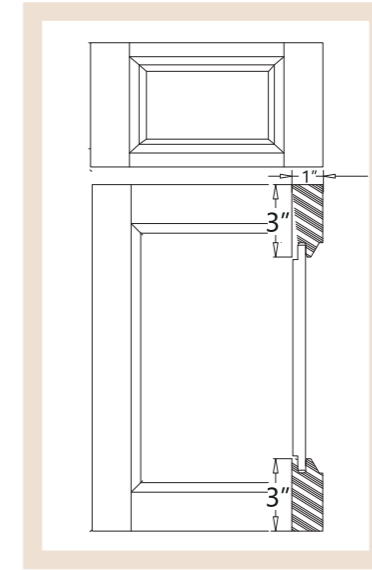
### G SERIES



G4 Grey Shaker



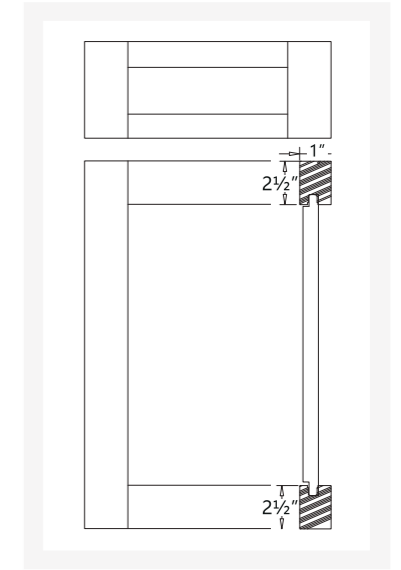
G8 Royal Blue



### L-SERIES -ECONOMIC-



L2 Aveley



# S SERIES

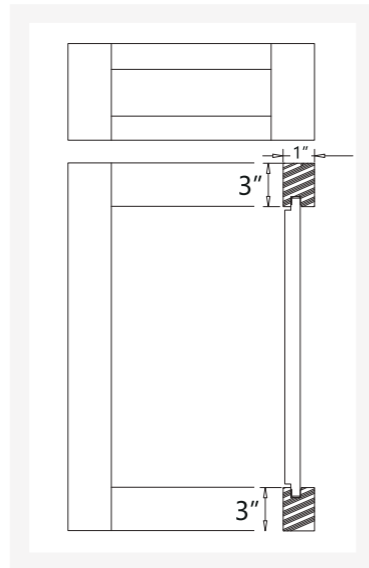
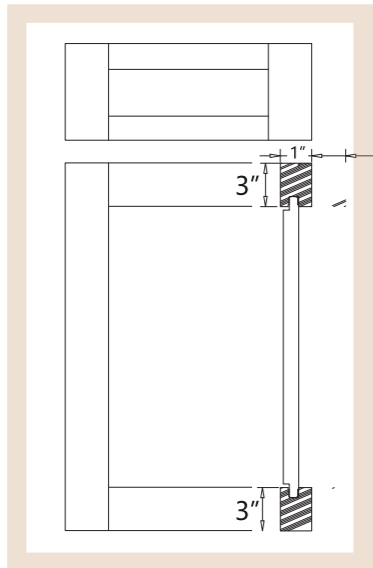
COLLECTION DOOR STYLES



S1 Ash Gaey



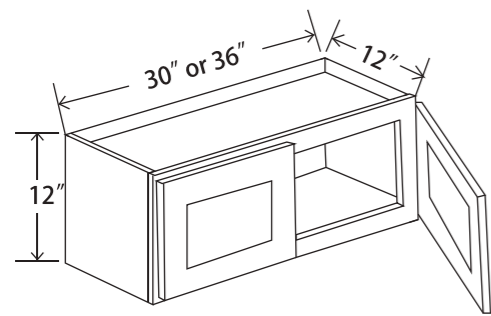
S2 Honey Shaker



" The kitchen is the heart of every home, for the most part. It evokes memories of your family history."

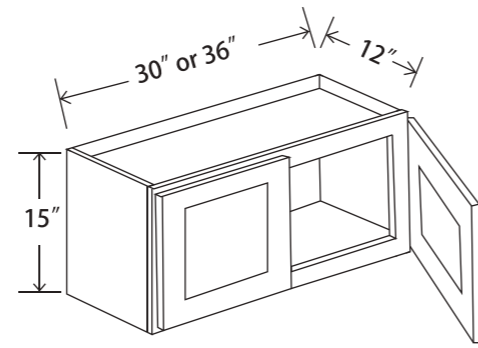
- Kasandra A.Ordonez

COLLECTION DOOR STYL



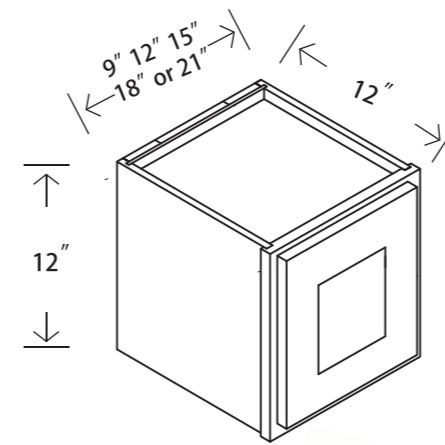
**Wall Cabinet Double Doors, 12"H**

- W3012 / W3612
- No shelf



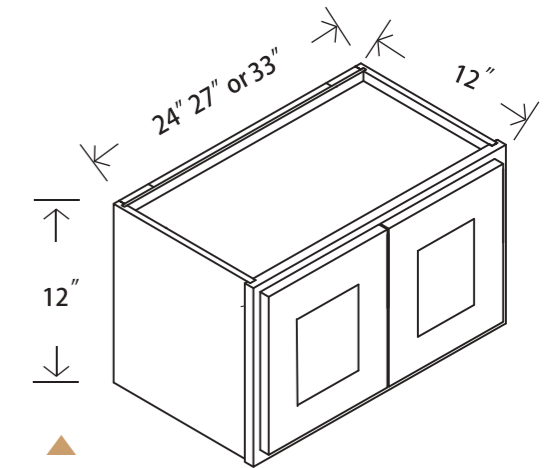
**Wall Cabinet Double Doors, 15"H**

- W3015 \ W3615
- 15" W or 18" W custom available
- No shelf



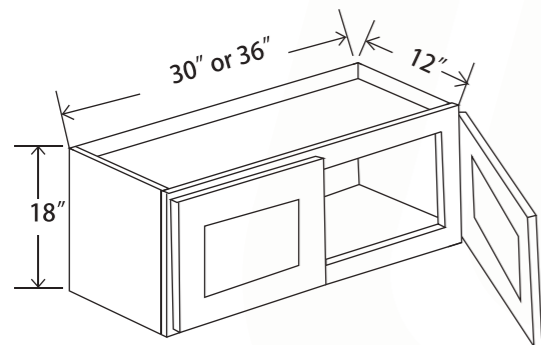
**Wall Cabinet Single Doors**

- W0912 / W1212 / W1512 / W1812 / W2112
- No shelf



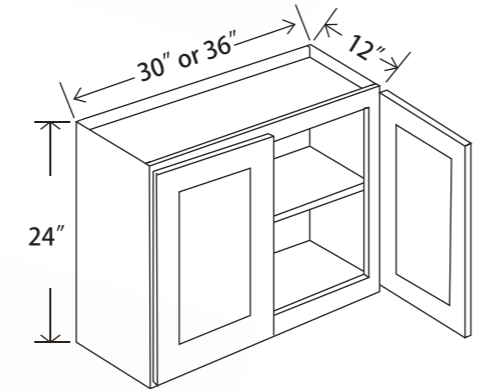
**Wall Cabinet Double Doors**

- W2412 / W2712 / W3312
- No shelf



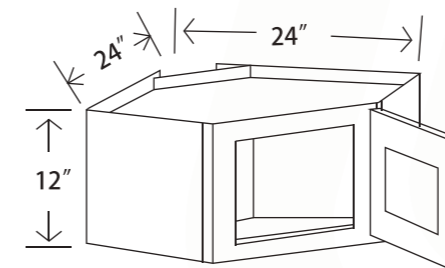
**Wall Cabinet Double Doors, 18"H**

- W3018 / W3618
- 15" W or 18" W custom available
- No shelf



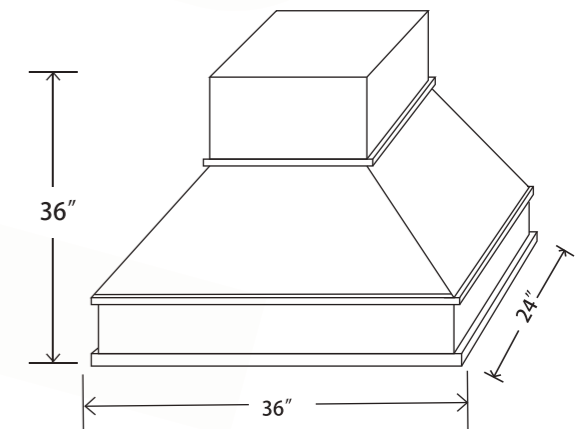
**Wall Cabinet Double Doors, 24"H**

- W3024 / W3624
- 15" W or 18" W custom available
- One adjustable shelf



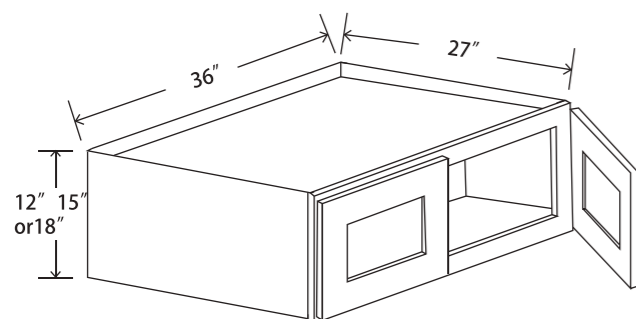
**Diagonal Corner Wall Single Door**

- WDC241212
- 12" H custom available
- No shelf



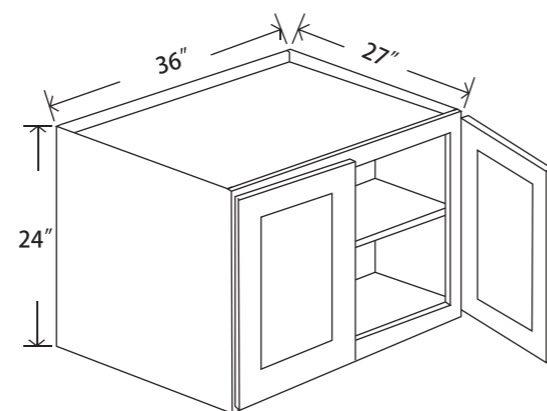
**Range Hood Cover**

- RH36
- Insert opening 33"W x 22"D



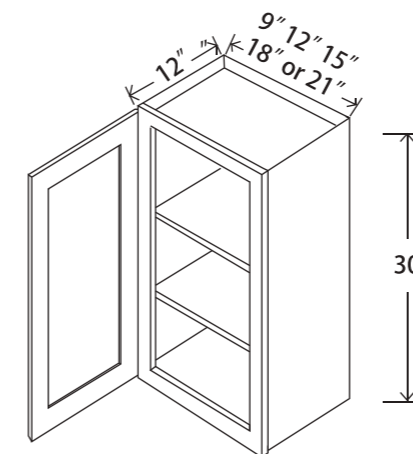
**Refrigerator Wall Cabinet Double Doors**

- W361227 / W361527 / W361827
- No shelf

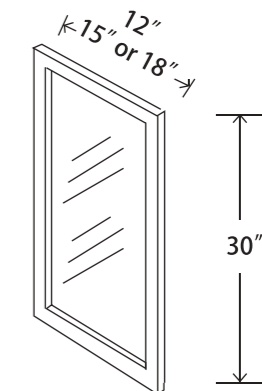


**Refrigerator Wall Cabinet Double Doors, 24"H**

- W362427
- One adjustable shelf



**Wall Cabinet Single Door, 30"H**

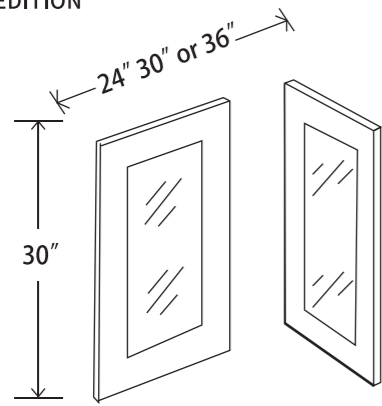


**Wall Cabinet Single Glass Door, 30"H**

- WG1230 / WG1530 / WG1830

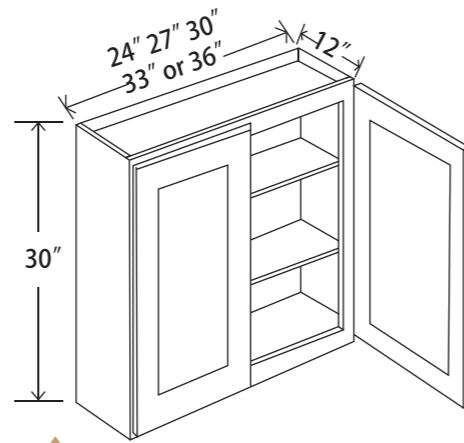
All Size Glass Doors Custom Available

All Size Glass Doors Custom Available



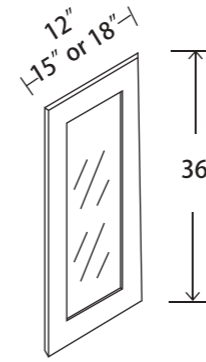
▲ **Wall Cabinet Double Glass Doors, 30" H**

- WG2430 / WG3030 / WG3630



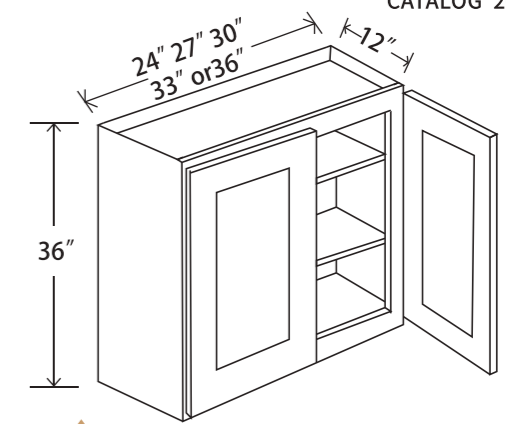
▲ **Wall Cabinet Double Doors, 30" H**

- W2430 / W2730 / W3030 / W3330 / W3630
- Two adjustable shelves



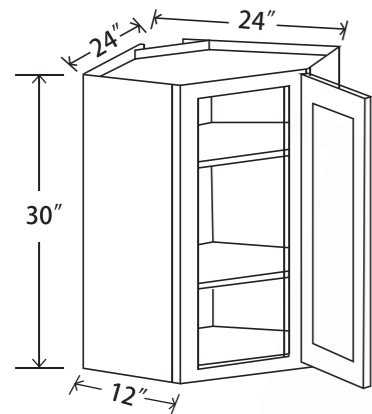
▲ **Wall Cabinet Single Glass Door, 36" H**

- WG1236 / WG1536 / WG1836



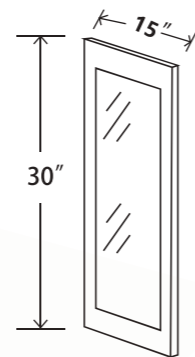
▲ **Wall Cabinet Double Doors, 36" H**

- W2436 / W2736 / W3036 / W3336 / W3636
- Two adjustable shelves



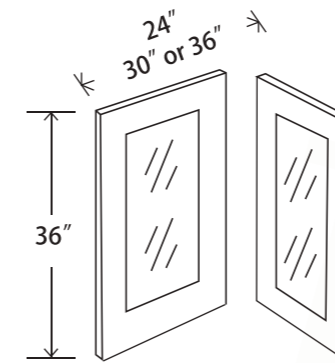
▲ **Diagonal Corner Wall Single Door 30" H**

- WDC243012
- Two adjustable shelves



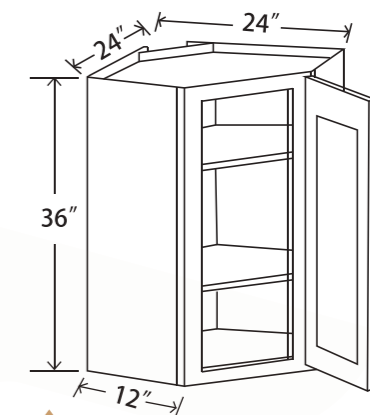
▲ **Diagonal Corner Wall Single Glass Door 30" H**

- WDCG243012



▲ **Wall Cabinet Double Glass Doors, 36" H**

- WG2436 / WG3036 / WG3636

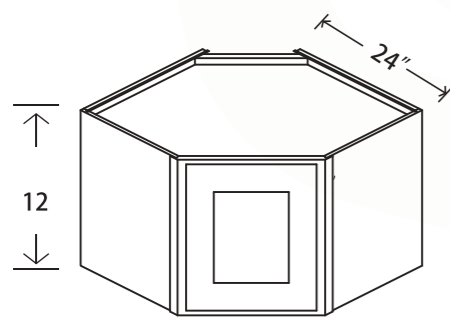


▲ **Diagonal Corner Wall Single Door 36" H**

- WDC243612
- Two adjustable shelves

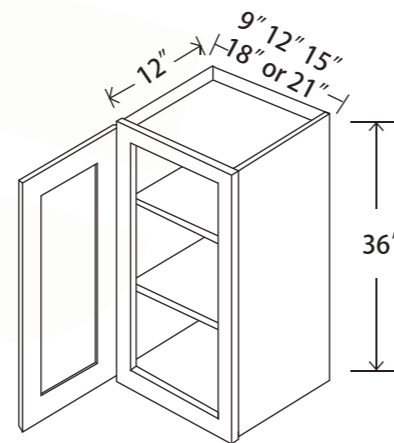
All Size Glass Doors Custom Available

All Size Glass Doors Custom Available



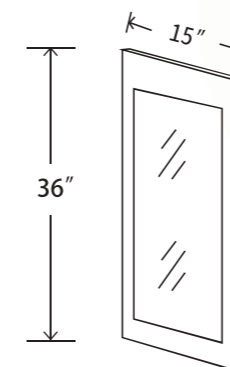
▲ **Diagonal Corner Wall Single Door 12" H**

- WDC2412
- Two adjustable shelves



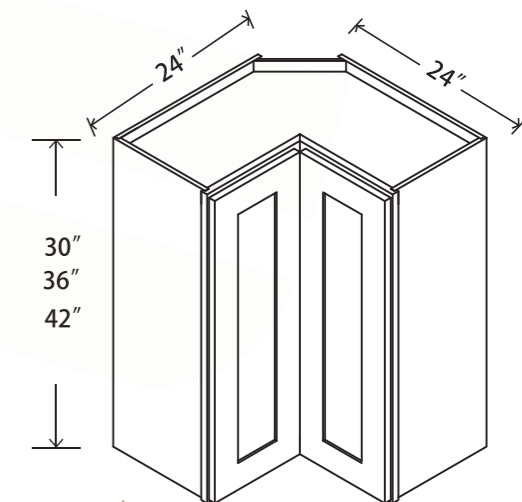
▲ **Wall Cabinet Single Door, 36" H**

- W0936 / W1236 / W1536 / W1836 / W2136
- Two adjustable shelves



▲ **Diagonal Corner Wall Single Glass Door 36" H**

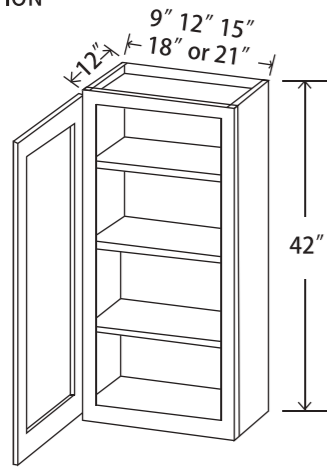
- WDCG243612



▲ **Diagonal Corner Wall Single Door**

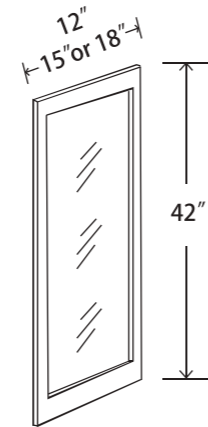
- WLC2412





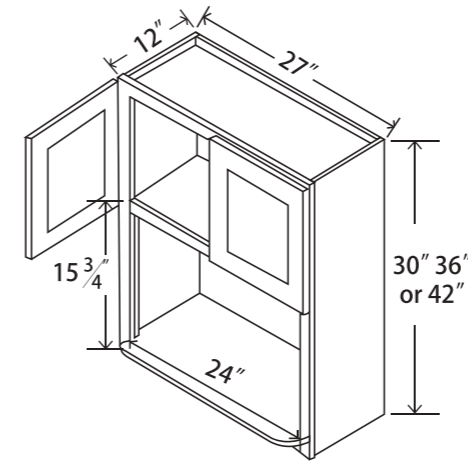
**Wall Cabinet Single Door, 42" H**

- W0942 / W1242 / W1542 / W1842 / W2142
- Three adjustable shelves



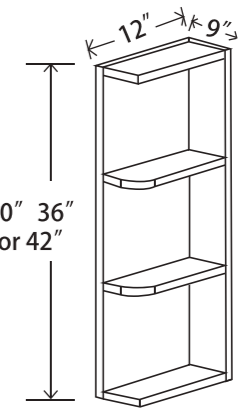
**Wall Cabinet Single Glass Door, 42" H**

- WG1242 / WG1542 / WG1842



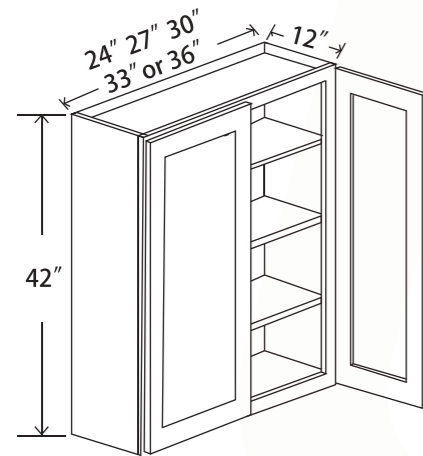
**Microwave Wall Cabinet**

- WMC2730 / WMC2736 / WMC2742



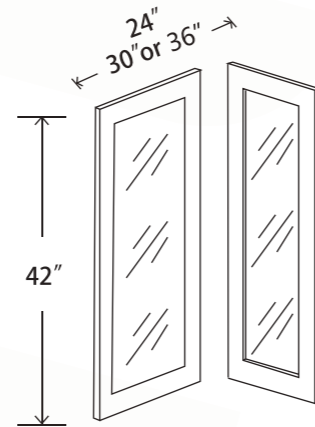
**Open End Shelf**

- WEOS0930 / WEOS0936 / WEOS0942
- Matching color interior



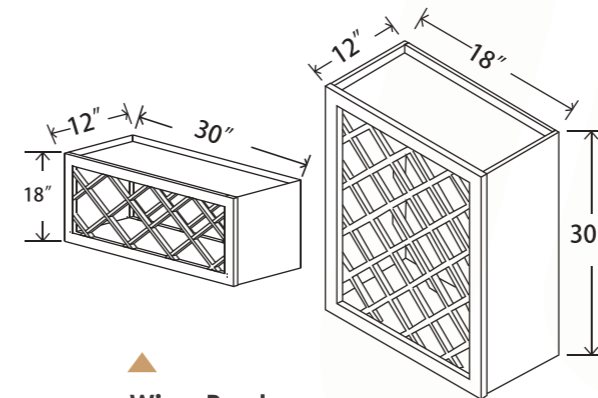
**Wall Cabinet Double Doors, 42" H**

- W2442 / W2742 / W3042 / W3342 / W3642
- Three adjustable shelves



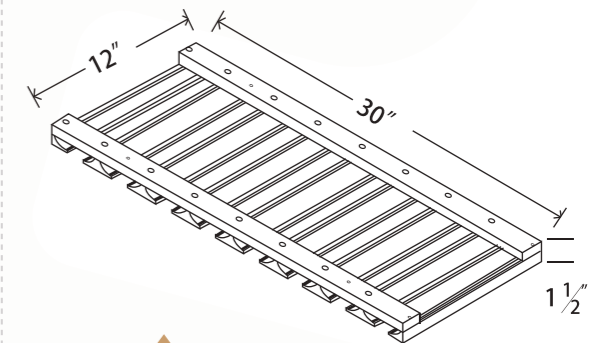
**Wall Cabinet Double Glass Doors, 42" H**

- WG2442 / WG3042 / WG3642



**Wine Rack**

- WRC3018

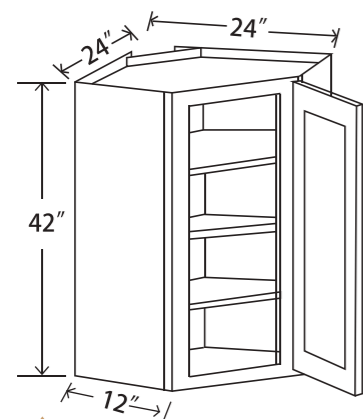


**Glass Holder**

- GH30

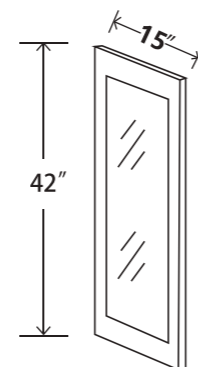
All Size Glass Doors Custom Available

All Size Glass Doors Custom Available



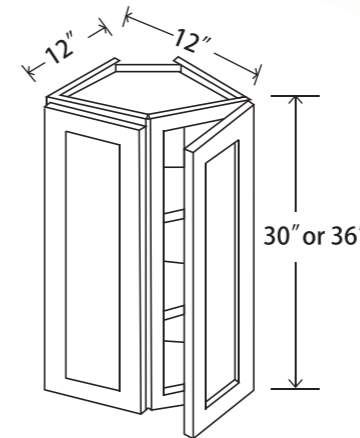
**Diagonal Corner Wall Single Door 42" H**

- WDC244212
- Three adjustable shelves



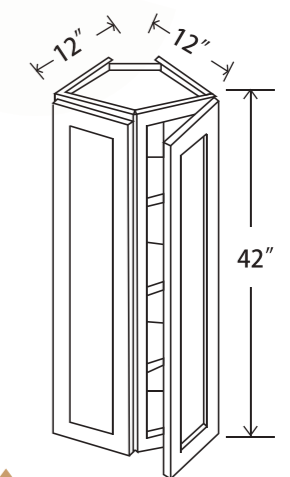
**Diagonal Corner Wall Glass Door 42" H**

- WDCG244212



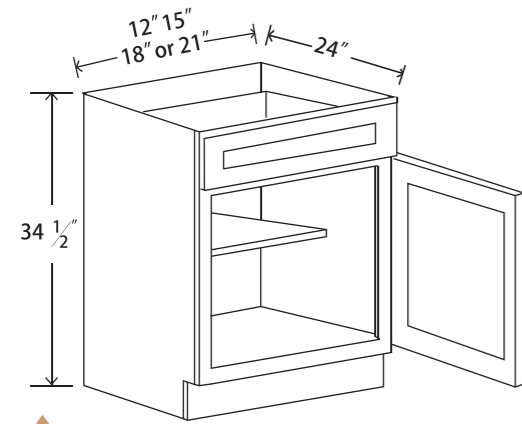
**Wall End Corner Cabinet 30" or 36" H - 2 Doors, 2 shelves**

- WEC1230 / WEC1236
- Two adjustable shelves



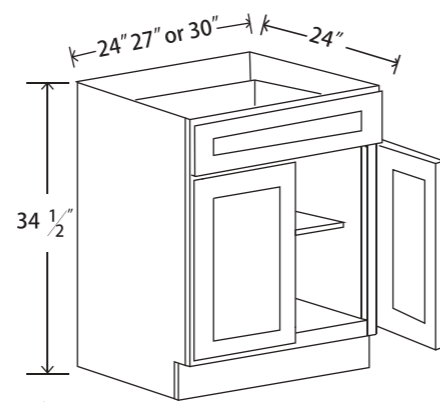
**Wall End Corner Cabinet 42" H - 2 Doors, 3 shelves**

- WEC1242
- Three adjustable shelves



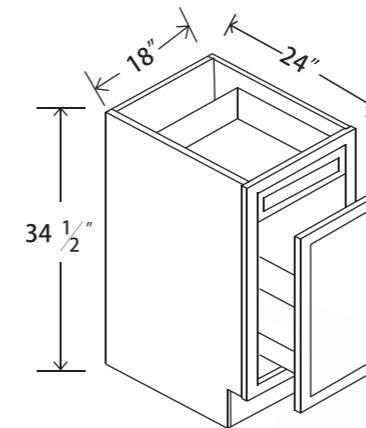
**Base Cabinet Single Door, 34 1/2" H**

- B09 / B12 / B15 / B18 / B21
- One drawer
- One adjustable shelf



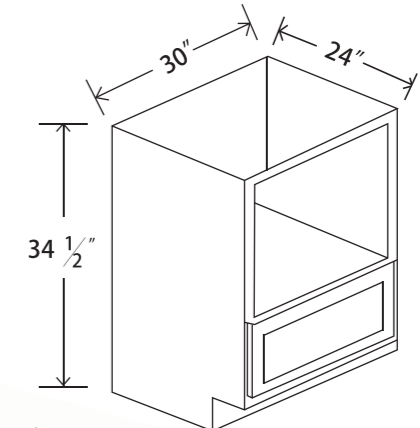
**Base Cabinet Double Doors**

- B24 / B27 / B30
- One drawer
- One adjustable shelf



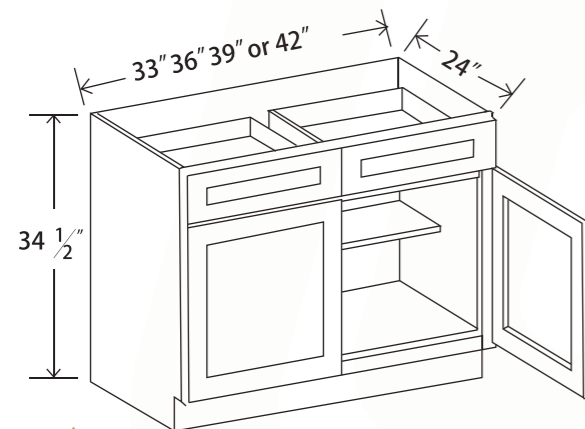
**Wastebasket Cabinet-1 Drawer, 1 Tall Wastebasket Drawer**

- BWBKT18
- Trash bins not included



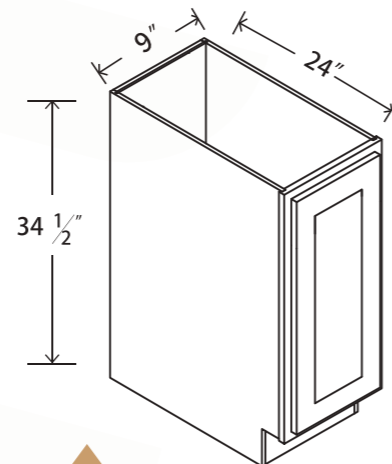
**Base Microwave Cabinet - 1 Drawer**

- BMC30
- Insert opening 27"W x 16 1/4" H



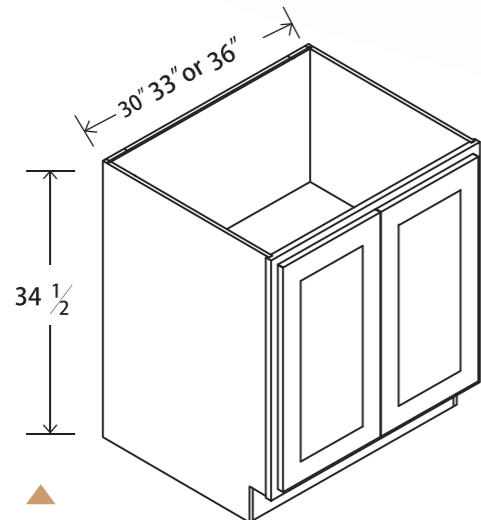
**Base Cabinet Double Doors**

- B33 / B36 / B39 / B42
- Two drawers
- One adjustable shelf



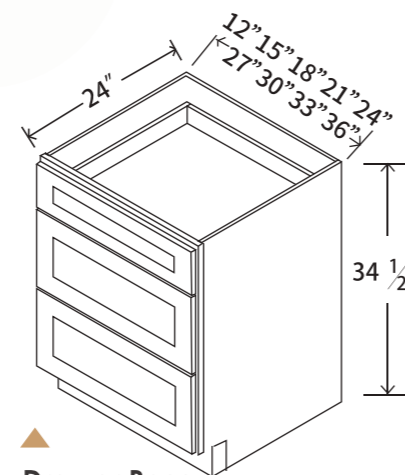
**Base Cabinet Double Doors**

- FHD09



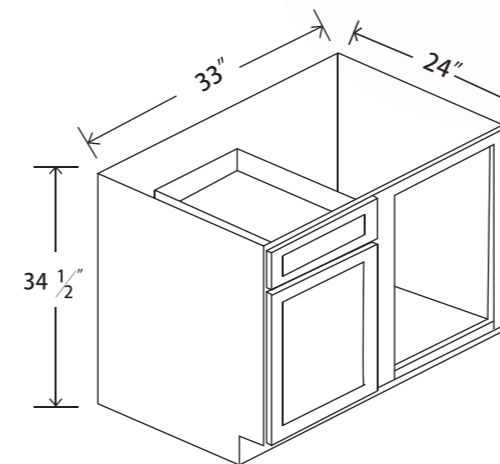
**Base Cabinet Double Doors**

- FHD30 / FHD33 / FHD36



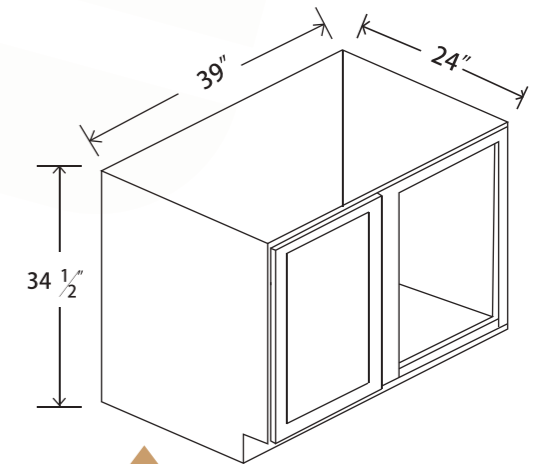
**Drawer Base**

- DB12 / DB15 / DB18 / DB21 / DB24 / DB27 / DB30 / DB33 / DB36
- Three drawers



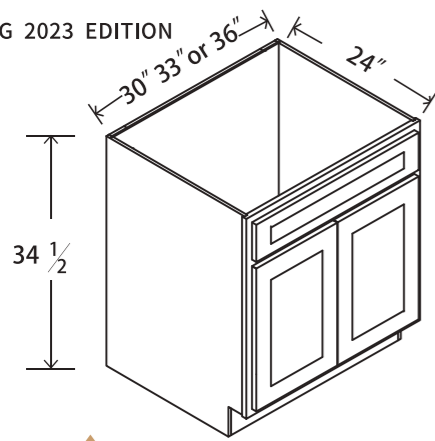
**33" Blind Corner Cabinet-1 Door, 1 Drawer, 1 Shelf**

- BBC33-9
- Must have 42" of space to install LEFT OR RIGHT



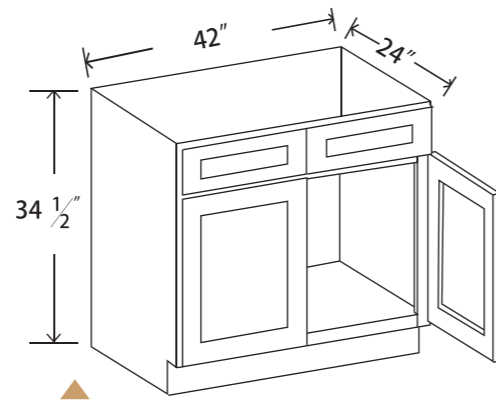
**39" Blind Corner Cabinet (Door Left Or Right) - 1 Full Height Door**

- BBC39FHD-9
- Must have 48" of space to install LEFT OR RIGHT



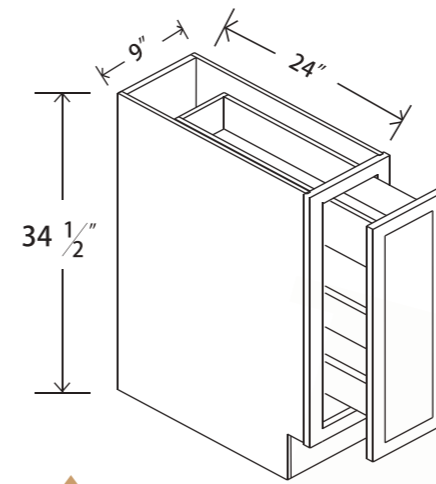
**Sink Base**

- SB30 / SB33 / SB36
- One dummy drawer



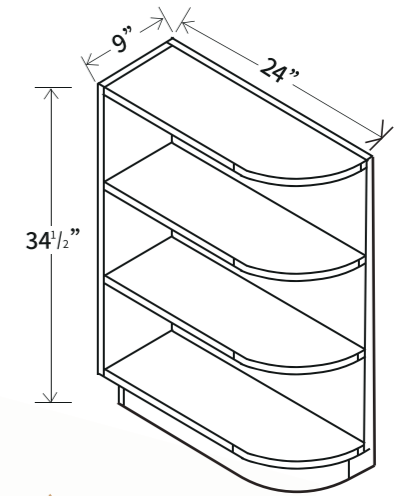
**Sink Base**

- SB42
- Size 39\" custom available
- Two dummy drawer



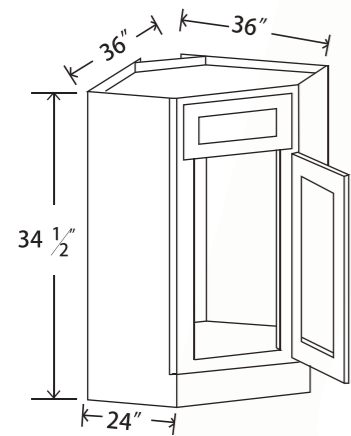
**Spice Rack Cabinet -1 Full Height Door Pull-Out Spice Rack**

- SP09



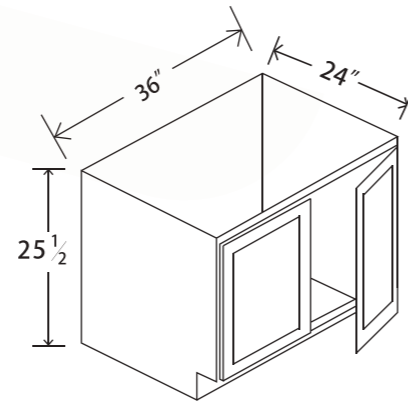
**Base End Shelf**

- BES09
- LEFT OR RIGHT



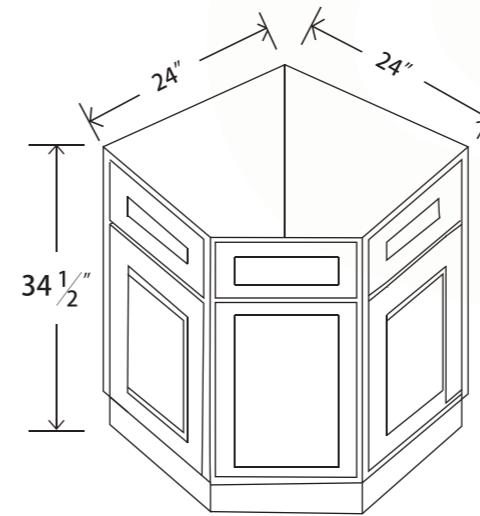
**Corner Sink Base Cabinet**

- SBA36
- One dummy drawer



**Farmhouse Sink Base Cabinet - 2 Doors**

- FSB36



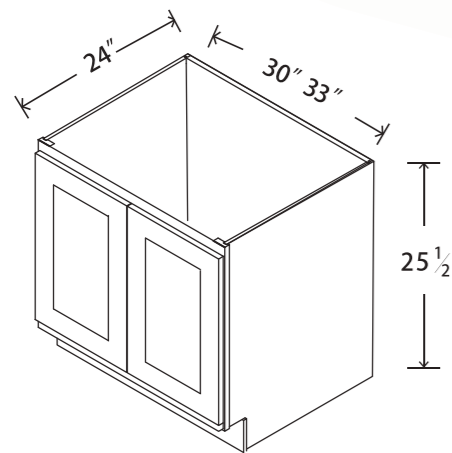
**Base End Cabinet - 2 Doors, 1 False Door, 3 Fales Drawers, 1 Shelf**

- BEC24



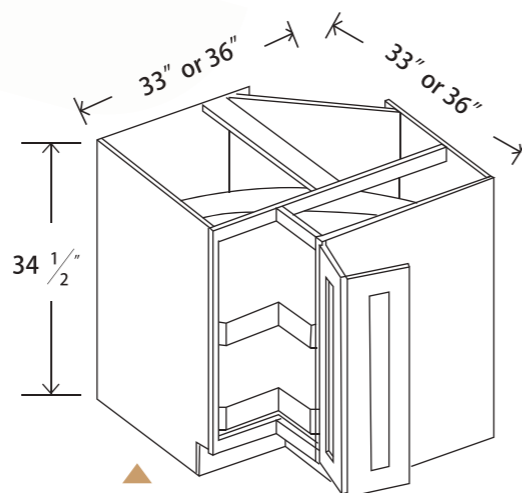
**Double Oven Cabinet - 2 Doors, 1 Drawer**

- OVD338427 / OVD339027 / OVD339627
- Insert opening 48 1/2 \"H x 30\"W



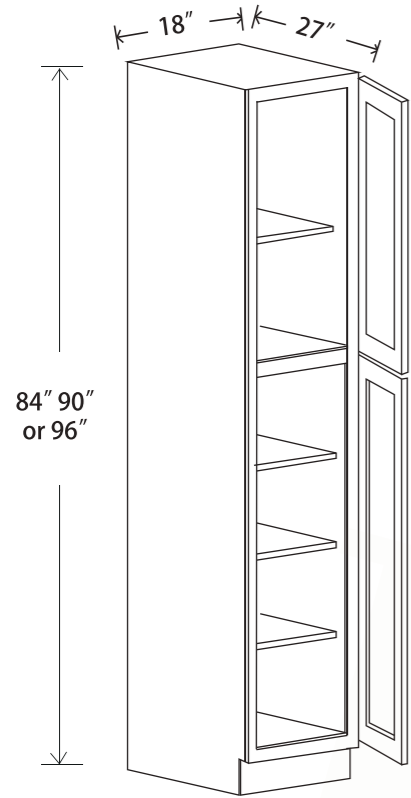
**Farmhouse Sink Base Cabinet - 2 Doors**

- FSB30 / FSB33



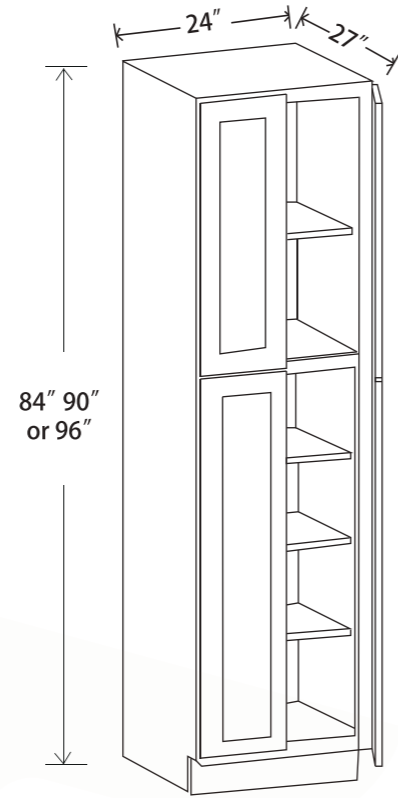
**Lazy Susan Cabinet**

- LZS33 / LZS36
- Two wooden trays



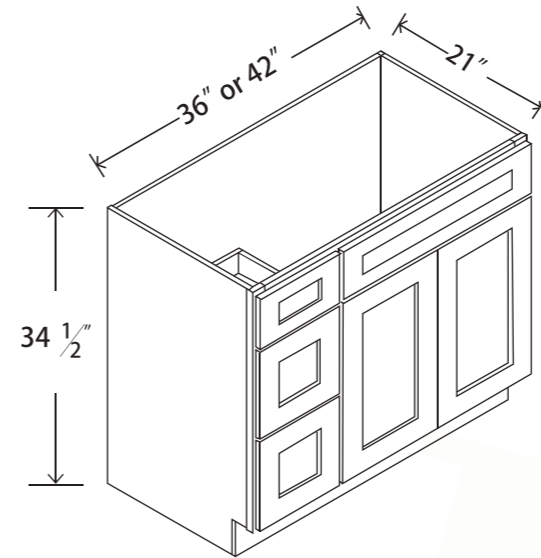
**Utility Pantry**

- WP188427 / WP189027 / WP189627
- One adjustable top shelves
- Note: 84" H Two bottom shelves  
90" H or 96" H Three bottom shelves
- Note:  
Roll Out Tray  
kits available for utility cabinets  
See page 41"



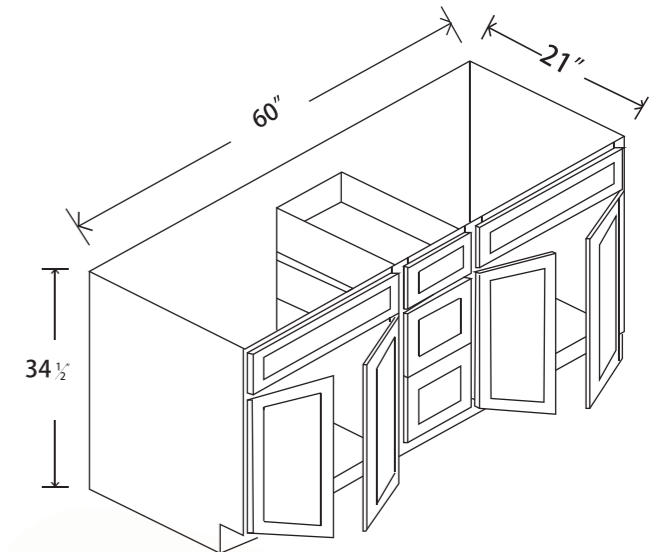
**Utility Pantry**

- WP248427 / WP249027 / WP249627
- One adjustable top shelves
- Note: 84" H Two bottom shelves  
90" H or 96" H Three bottom shelves
- Note:  
Roll Out Tray  
kits available for utility cabinets  
See page 41"



**Vanity Combo**

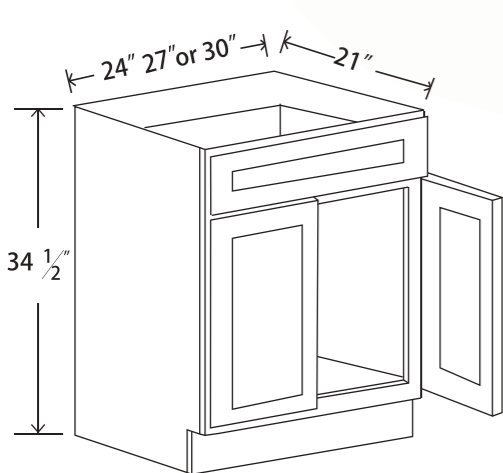
- VAN36DL / VAN42DL



**Vanity Sink Base Cabinet- 4 Doors, 1 Drawer, 2 Deep Drawers**

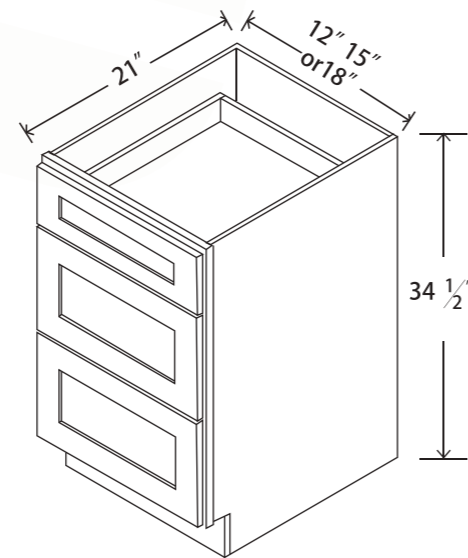
- VAN60DD-3

VAN36DL or 42" combo with 2 DRAWERS on LEFT OR RIGHT  
VAN36DR or 42" combo with 2 DRAWERS on LEFT OR RIGHT

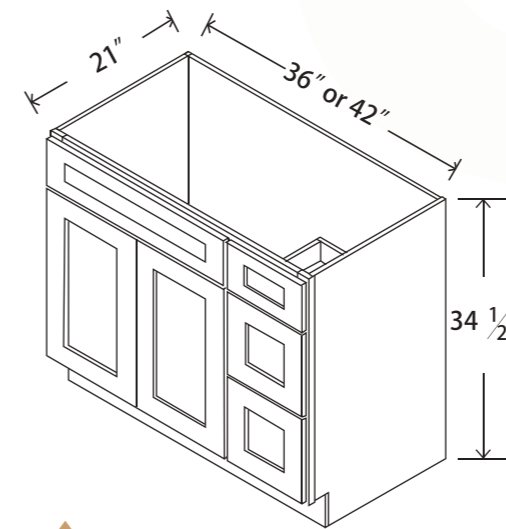


**Vanity Sink Base**

- VAN24 / VAN27 / VAN30
- 1 Dummy drawer

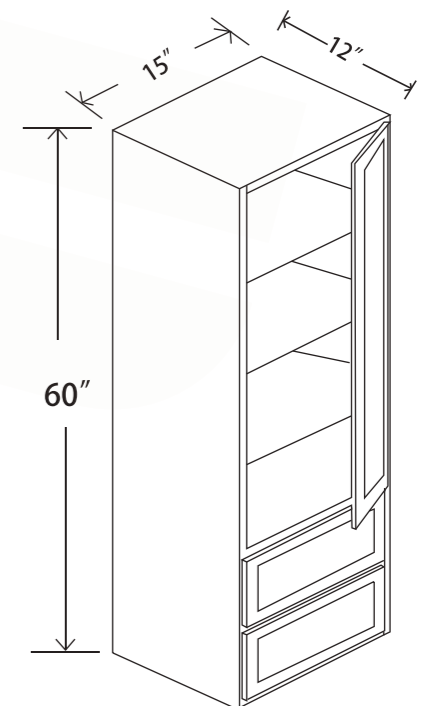


**Vanity Drawer Base Cabinet**



**Vanity Combo**

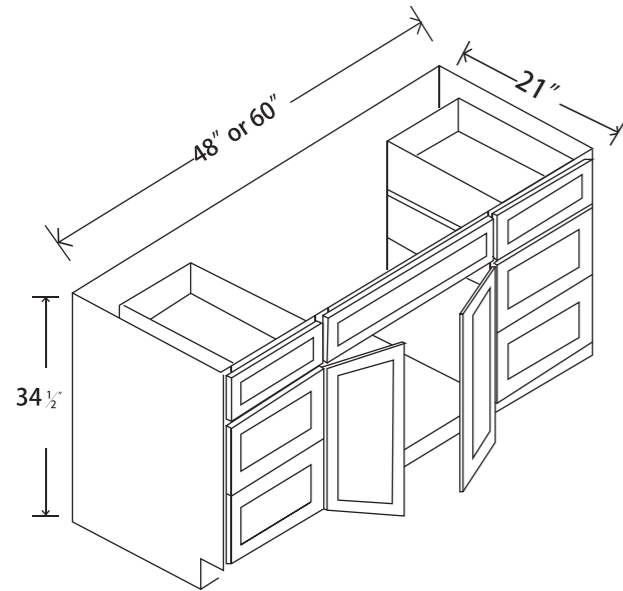
- VAN36DR / VAN42DR



**Tall Counter Linen Cabinet -1 Door, 2 Drawers, 3 Shelves**

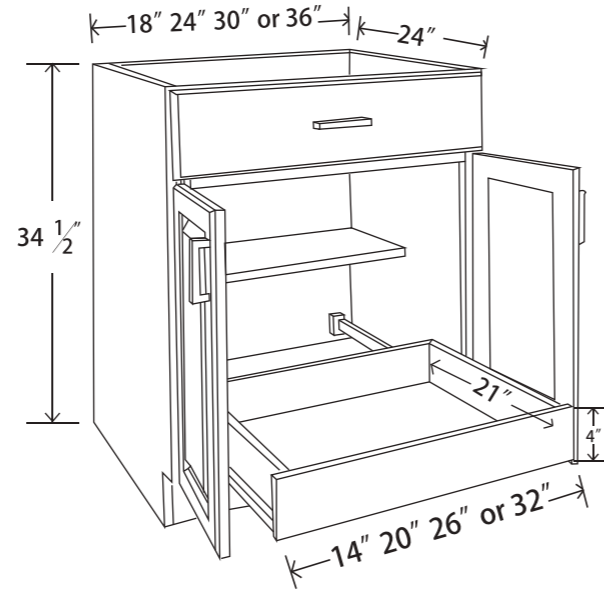
- CL156012





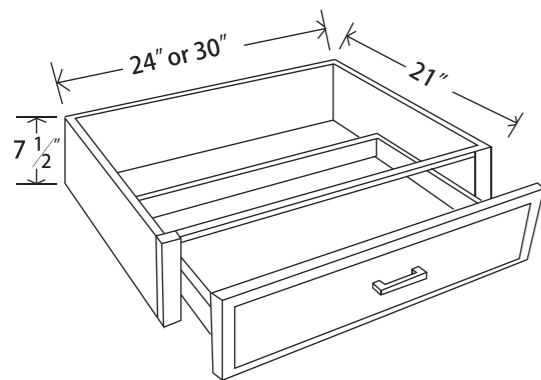
**Vanity Sink Base Cabinet- 2 Doors, 2 Drawers, 4 Deep Drawers**

- VAN48D-6 / VAN60D-6



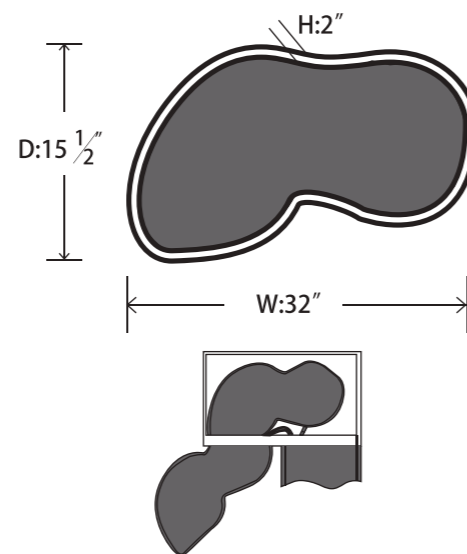
**Pullout Tray**

- PULOUT TRAY 18" / PULOUT TRAY 24"
- PULOUT TRAY 30" / PULOUT TRAY 36"



**Knee Drawer**

- DSK24 / DSK30



**Blind Base Corner Roll Out Shelf**

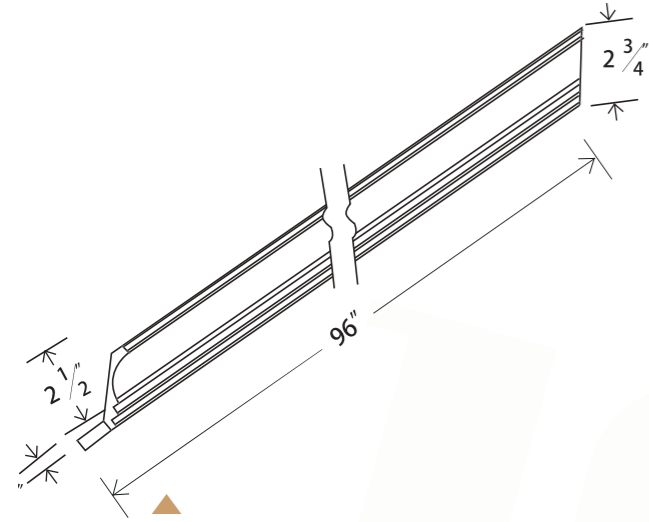
- BBC39FHD-9LO / BBC39FHD-9RO
- LEFT OR RIGHT



Whether it's a holiday part, or a friend in town, we somehow always end up in the kitchen.

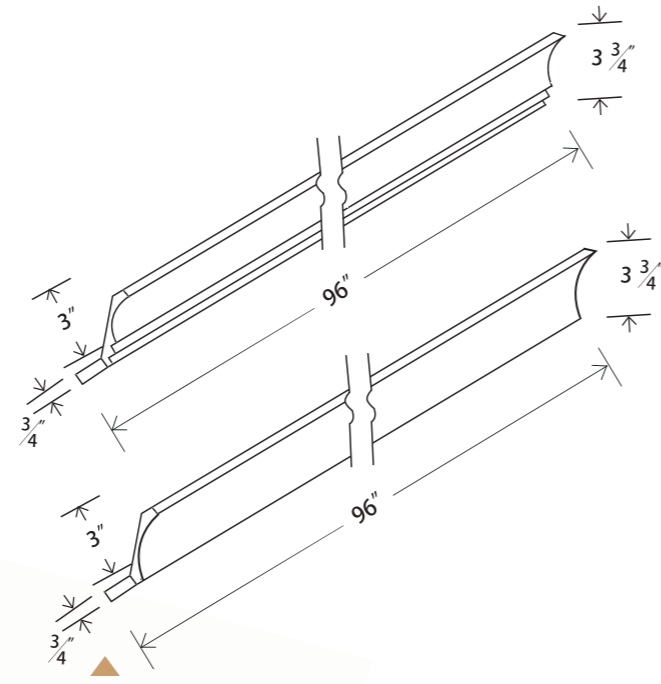
- Brittni Ellison

YOUR DREAM IS OUR MISSION



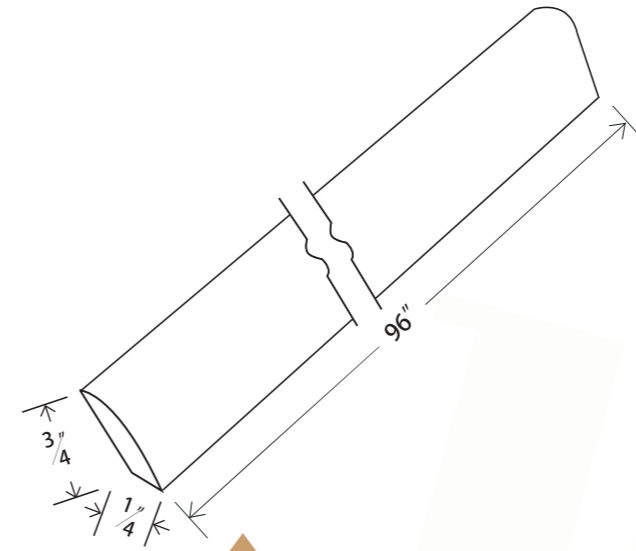
**Crown Molding**

- ACM 2.5



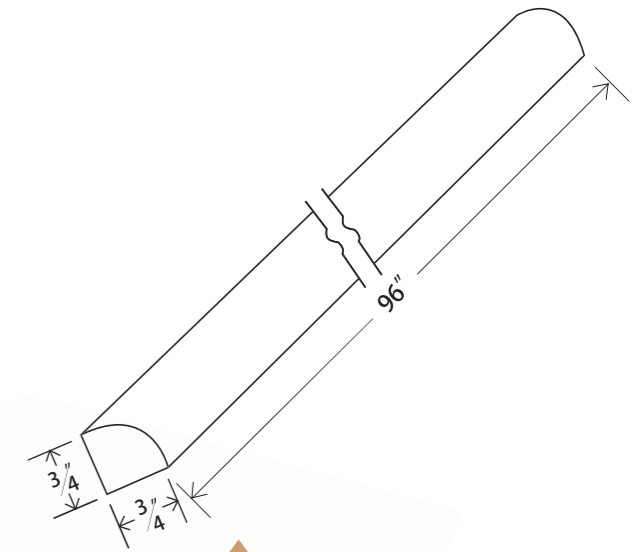
**Crown Molding**

- CCM8 / COVE MOLDING



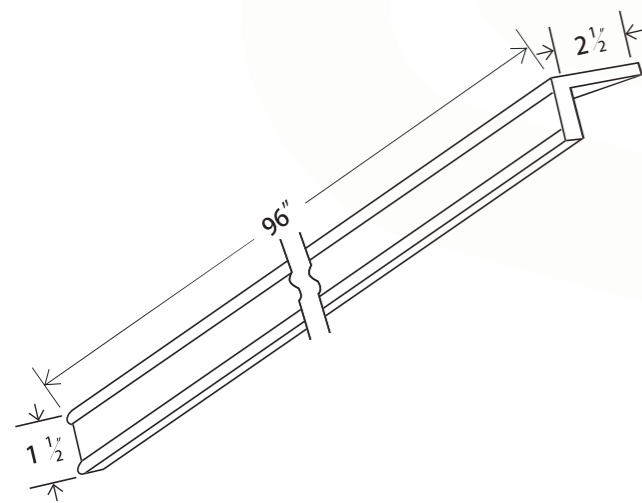
**Scribe Molding**

- SCRIBE MOLDING



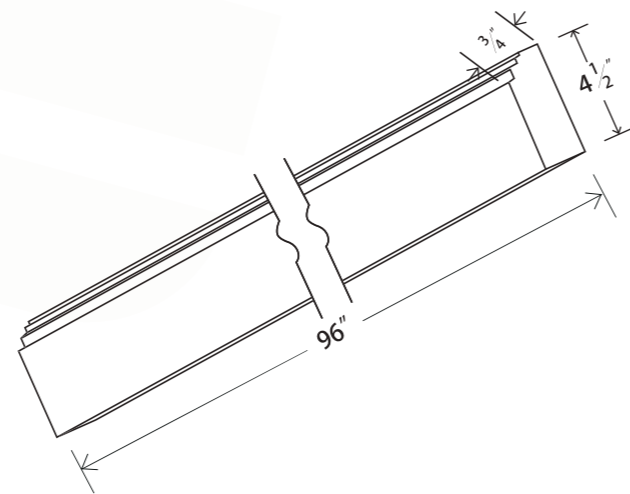
**Shoe Molding**

- SHOE MOLDING



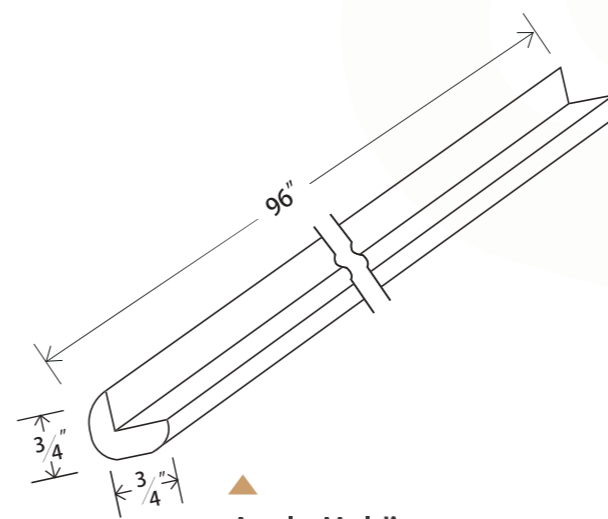
**Light Rail Molding**

- TLR8



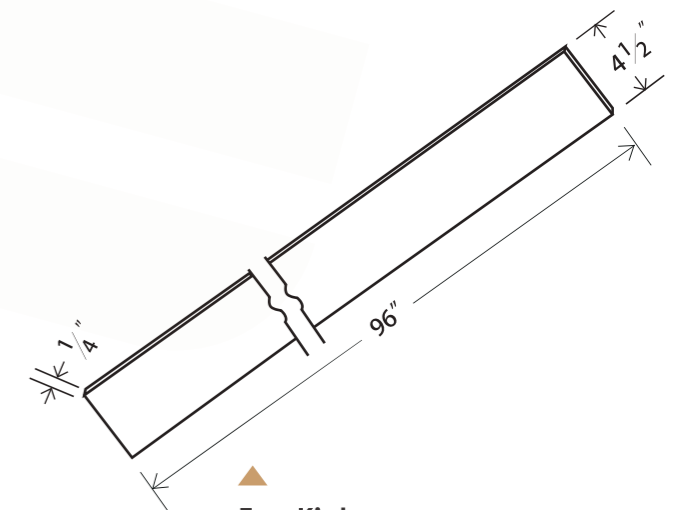
**Base Molding**

- BASE MOLDING



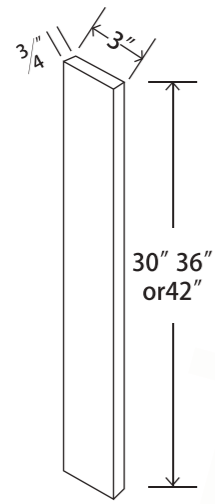
**Angle Molding**

- ANGLE MOLDING

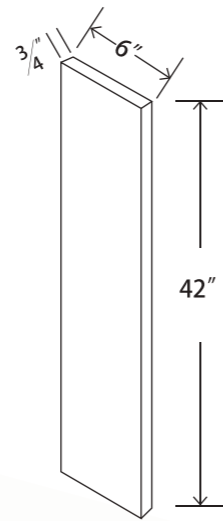


**Toe Kick**

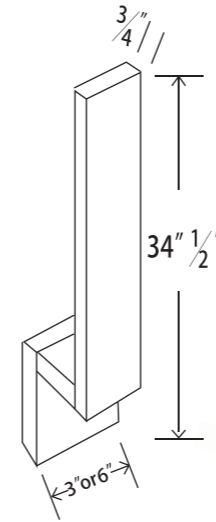
- TK8



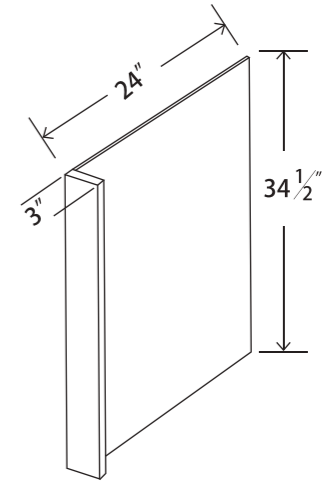
▲ **Wall Filler**  
 ● WF3\*30 / WF3\*36 / WF3\*42



▲ **Wall Filler**  
 ● WF6\*42



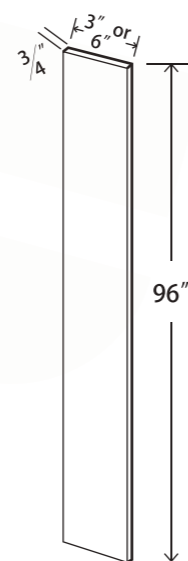
▲ **Base Filler**  
 ● BF3 / BF6



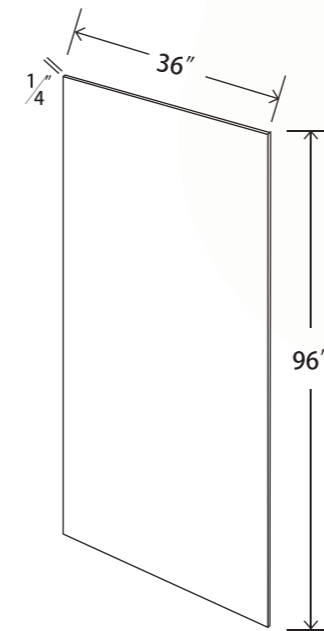
▲ **Dishwasher Panel**  
 ● DWP3



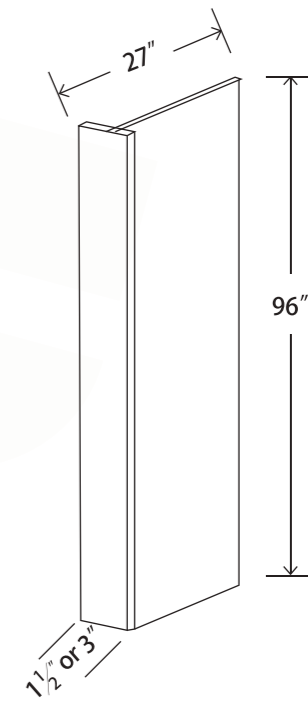
▲ **Tall Fluted Fille**  
 ● FFWF3\*96



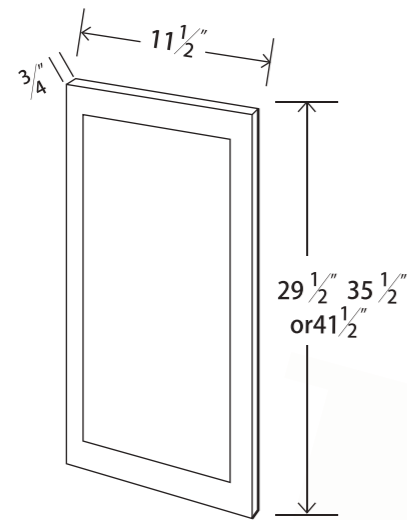
▲ **Tall Filler**  
 ● F3\*96 / F6\*96



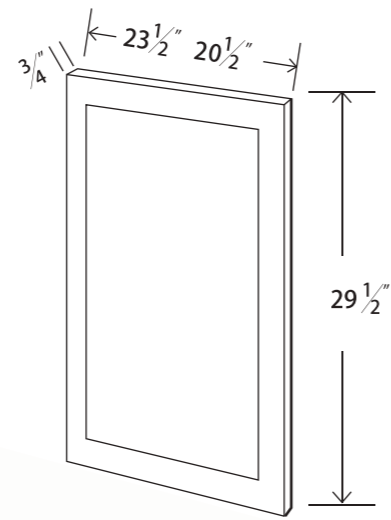
▲ **Skin Panel**  
 ● PANEL 36" \*96"



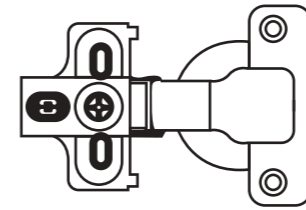
▲ **Refrigerator Panel**  
 ● RRP27(1.5") / RRP27 (3")  
 ● 1 1/2" OR 3"



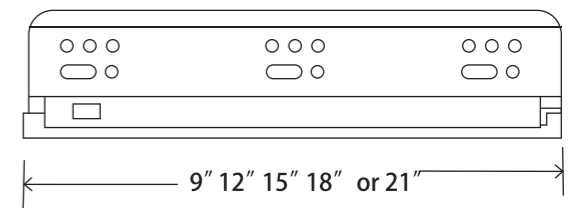
▲ **Wall Decorative Door Panel**  
 —  
 • WDD30 / WDD36 / WDD42



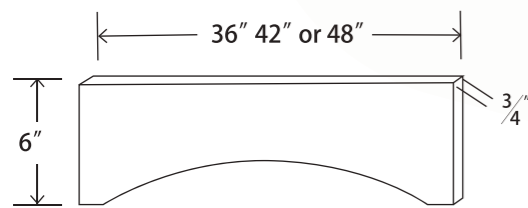
▲ **Base Decorative Door Panel**  
 —  
 • BDD24 / BDD21



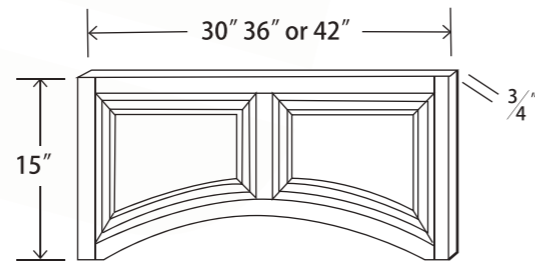
▲ **Hinge**  
 —  
 • SOFT-CLOSE  
 • Adjustable



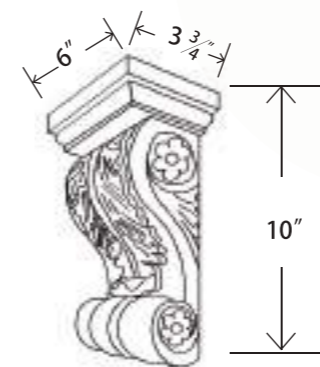
▲ **Drawer Slides**  
 —  
 • SOFT-CLOSE  
 • Heavy Duty • Adjustable



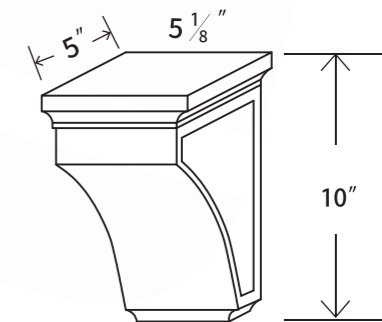
▲ **Valance**  
 —  
 • VAL36 / VAL42 / VAL48



▲ **Decorative Valance**  
 —  
 • RPV30 / RPV36 / RPV42

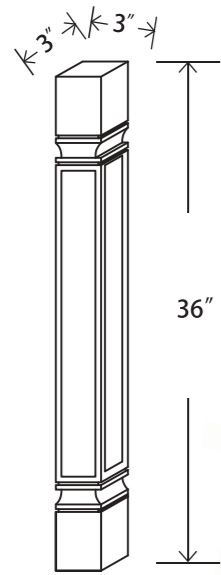


▲ **Decorative Corbel**  
 —  
 CORBEL6"

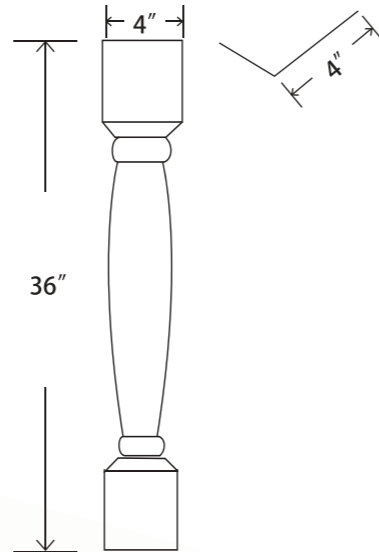


▲ **Corbel**  
 —  
 • CORBEL5 1/8"

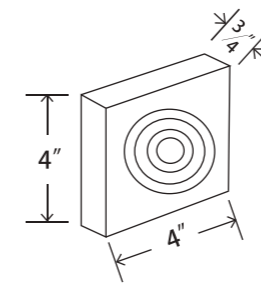




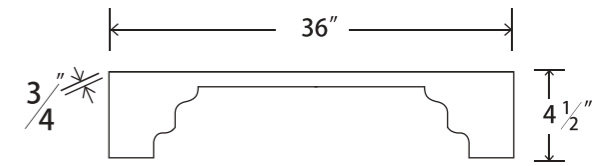
▲ **Decorative Corbel**  
 —  
 • DLS3\*3\*36"



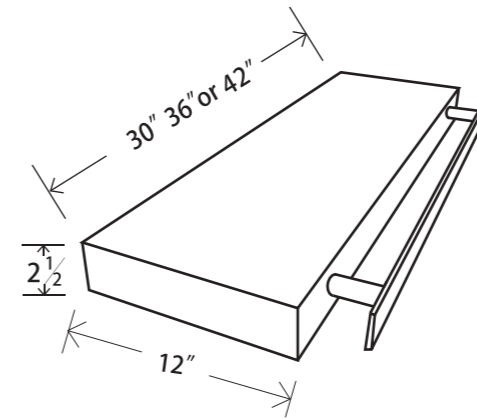
▲ **Decorative Corbel**  
 —  
 • DLS4\*4\*36"



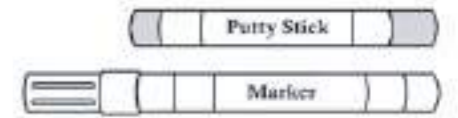
▲ **Rosette Block**  
 —  
 • ROSETTE 3\*3



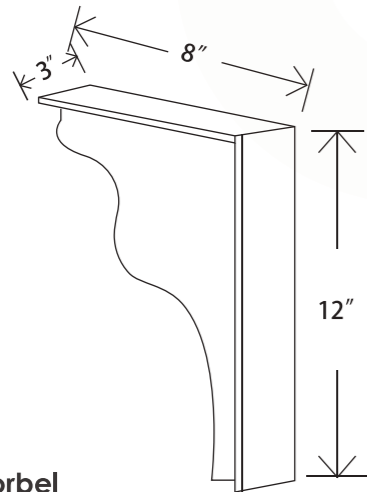
▲ **Furniture Base**  
 —  
 • FURNITURE BASE



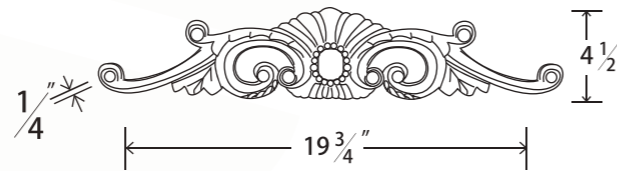
▲ **Floating shelves**  
 —  
 • Floating shelves 30  
 Floating shelves 36  
 Floating shelves 42



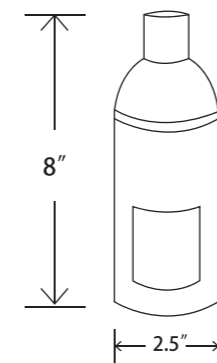
▲ **Touch Up Kit**  
 —  
 • 1-Putty stick / 1-Marker /  
 1-Plastic Razor Blade



▲ **Corbel**  
 —  
 • CORBEL 8x12"



▲ **Onlay Applique**  
 —  
 • ONLAY APPLIQUE



▲ **Spray Paint**  
 —

